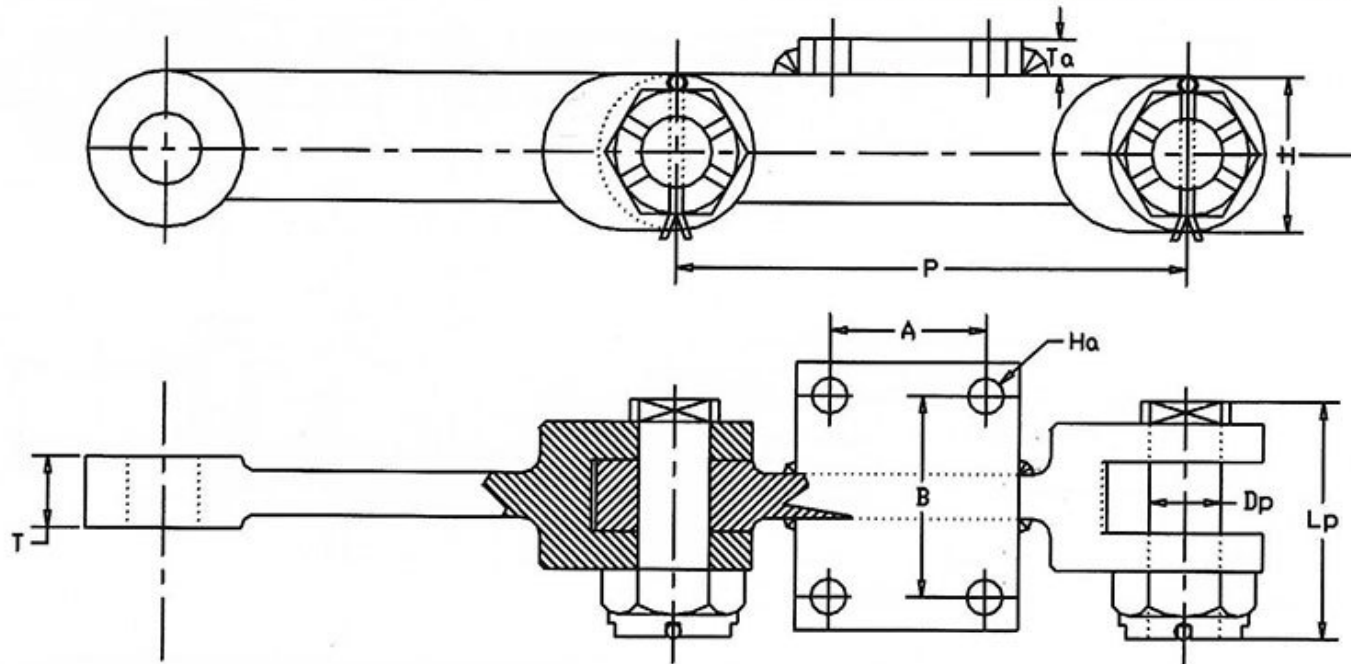


RAKE CARRIER (FORGED BLOCK) CHAIN



Cat No.	Pitch (P)	Breaking Load(in KG)	Diameter of Pin (Dp)	Length of Pin (Lp)	Height of Link (H)	Thickness of Link (T)	Thickness of Attachment (Ta)	Pitch of Hole of Attachment (A)	Diameter of Hole in Attachment (B)	Ha
RB 551	229mm	60,000	32	114	70	32	16	70	130	18
RB 552	150mm	45,500	28	101	60	32	12	70	100	18
RB 553	300mm	80,000	38	136	85	44	16	80	130	18
RB 554	200mm	60,000	32	104	70	32	16	70	130	18

*all unspecified dimensions in mm