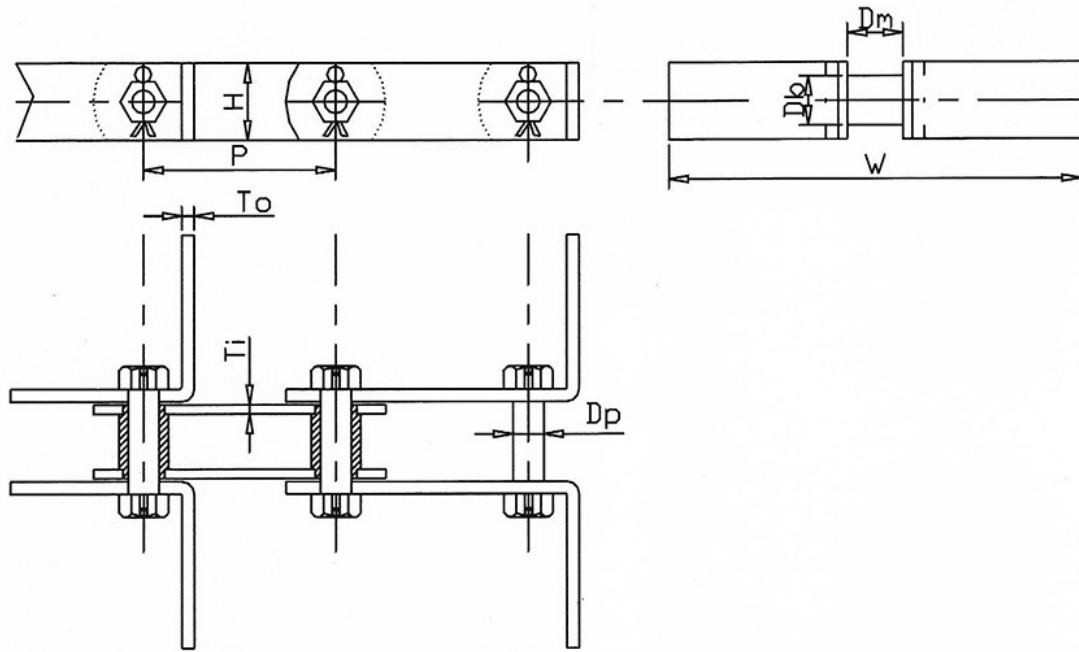


RADLER CONVEYOR CHAIN



Cat No.	Pitch (P)	Breaking Load(in Kg)	Height (H)	Thickness Outer Link (To)	Thickness Inner Link (Ti)	Diameter Bush(Db)	Diameter Pin(Dp)	Distance Between Inner Links (Dm)	Width (W) Max
RB 101	125	14,000	40	8	6	25	15.8	28	480
RB 102	125	15,500	50	8	6	25	15.8	28	480
RB 103	125	18,000	50	8	6	32	20	36	480
RB 104	125	19,000	50	10	6	32	20	36	480
RB 105	125	19,000	65	8	6	32	20	36	580
RB 106	125	20,000	75	8	6	32	20	36	580
RB 107	150	33,000	75	8	6	44	28	36	580
RB 108	150	35,000	75	10	8	44	28	36	580

*all unspecified dimensions in mm

Note :

1. Types of Chain (SS) Locking.
 - a) Split Pin (SS) Locking.
 - b) Castle Nut With Split Pin Locking.
2. Dimensions other than above can be provided to suit the customer's requirements.
3. Materials used as per customer's requirements.
4. If the chain is of 5" Pitch instead of 125mm, then Specify it.

