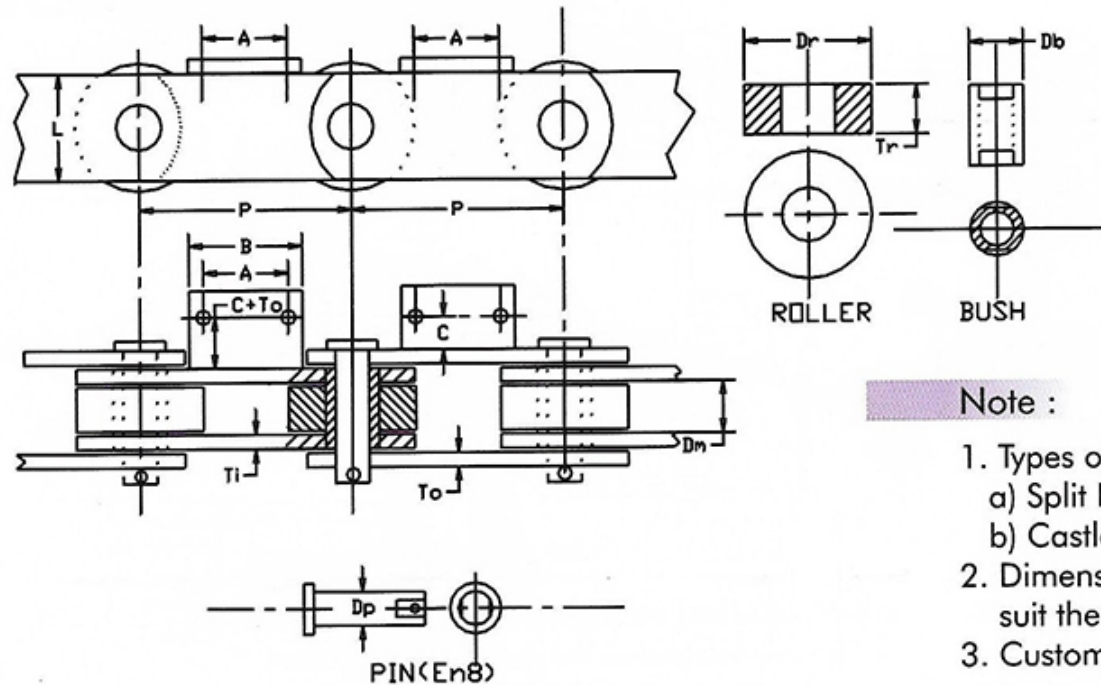


# MEAL COOLER CHAIN



## Note :

- Types of Chain Locking
  - Split Pin (SS) Locking
  - Castle Nut With Split Pin Locking.
- Dimensions other than above can be provided to suit the customer's requirements.
- Customer has to specify A, B & C Dimensions.

Cat No.	Pitch (P)	Height of Link (L)	Thickness Outer Link ( $T_o$ )	Thickness Inner Link ( $T_i$ )	Diameter Pin ( $D_p$ )	Diameter Bush ( $D_b$ )	Diameter Roller ( $D_r$ )	Thickness of Roller ( $T_r$ )	Distance B/w Link ( $D_r$ )
RB 301	4"	32	5/6	5/6	10	15.8	44.5	15	20
RB 302	125mm	40	6	6	10	15.8	50	18	22
RB 303	150mm/6"	40	6	6	10	15.8	50	18	22
RB 304	150mm/6"	40	6	6	10	15.8	50	18	22
RB 305	150mm/6"	40	8	6	16	25	50	25	28
RB 306	150mm/6"	50	8	6	20	32	65	32	36

\*all unspecified dimensions in mm