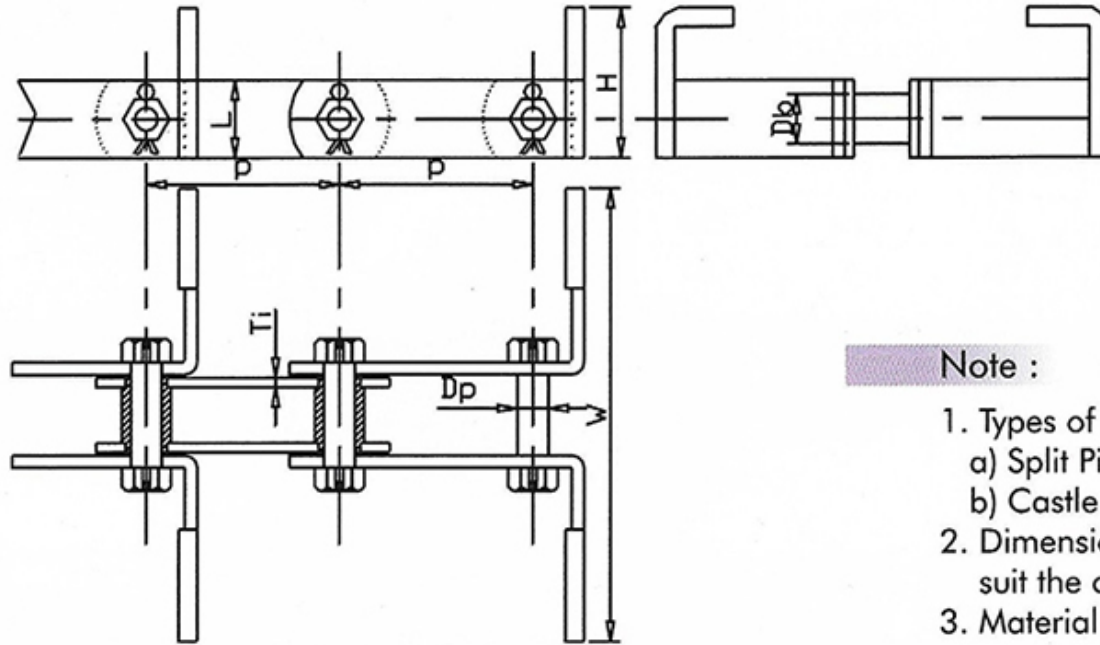


HOOK TYPE CONVEYOR CHAIN



Note :

1. Types of Chain Locking
 - a) Split Pin Locking
 - b) Castle Nut With Split Pin (SS) Locking.
2. Dimensions other than above can be provided to suit the customer's requirements.
3. Material used as per customer's requirements.

Cat No.	Pitch (P)	Breaking Load(in Kg)	Height of Link (L)	Hight of Hook (H)	Thickness Outer Link (To)	Thickness Inner Link (Ti)	Thickness Hook (Th)	Diameter Bush(Db)	Diameter Pin(Dp)	Distance B/W Links (Dm)	Width (W) Max
RB 121	125mm	14,000	40	90	8	6	12	25	15.8	28	380
RB 122	125mm	15,000	50	90	8	6	12	25	15.8	28	380
RB 123	125mm	23,000	50	110	8	6	16	32	20	36	480

*all unspecified dimensions in mm