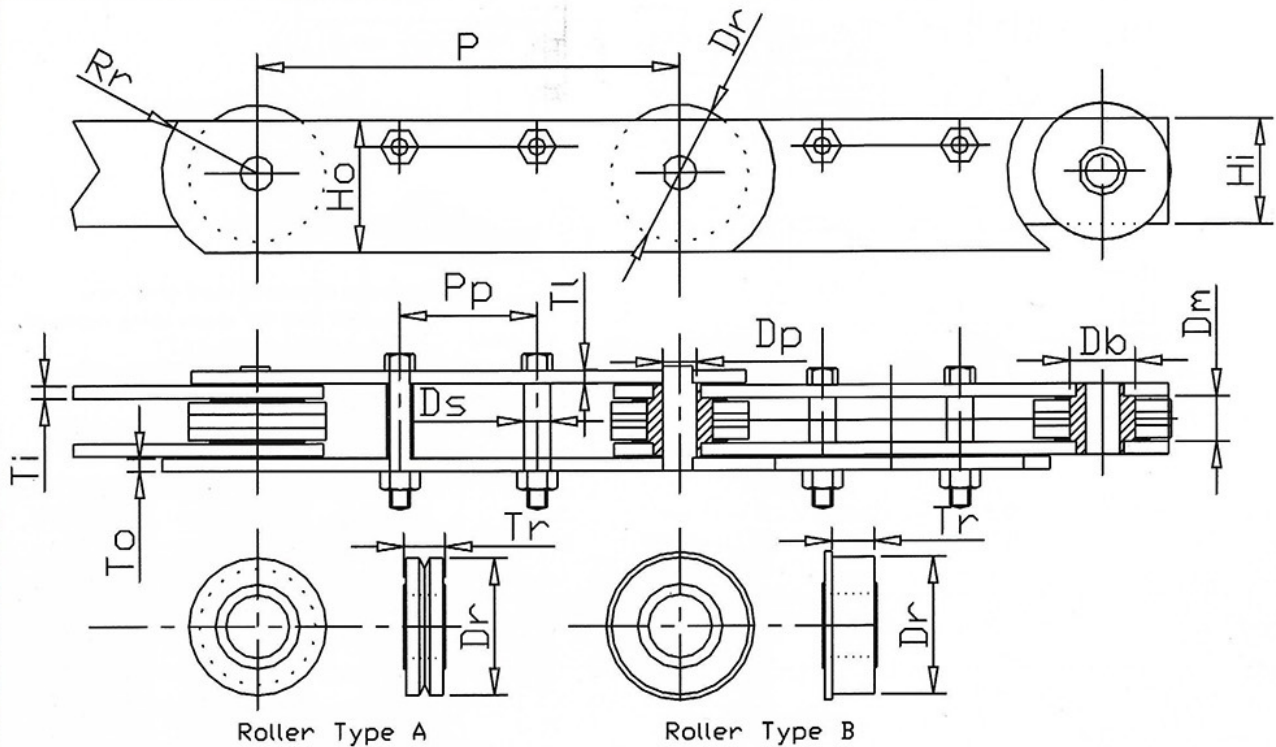


EXTRACTOR CHAIN



Cat No.	Pitch (P)	Type A/B	Height of Outer Link Ho	Height of Inner Link Hi	Thickness of Outer Link To	Thickness of Inner Link Ti	Diameter of Roller Dr	Diameter of Bush Db	Diameter of Pin Dp	Pitch of Bolt Pp	Diameter of Bolt Da	Extractor Width
RB 401	250	A	100	75	10	8	90	40	25	74	1/2"	1200mm
RB 402	250	A	100	75	10	10	90	44	28	74	5/8"	1500mm
RB 403	250	B	100	75	10	10	90	44	28	74	5/8"	1500mm
RB 404	250	B	100	75	10	10	90	40	25	70	5/8"	1500mm
RB 405	250	B	125	125	10	10	90	46	32	70	5/8"	2000mm
RB 406	400	A	125	100	10	8	130	60	30	130	5/8"	1800mm
RB 407	400	A	125	100	10	10	130	62	32	130	5/8"	1800mm
RB 408	400	A	125	100	12	10	130	62	32	130	5/8"	1800mm
RB 409	400	A	125	100	12	12	130	62	32	130	5/8"	1800-2000mm
RB 410	400	B	125	100	12	12	130	62	32	130	5/8"	1800-2000mm
RB 411	400	B	150	125	16	16	140	68	38	125	3/4"	2000-2400mm

*all unspecified dimensions in mm

Note :

1. The above are normal figures used widely in the industry. However we can undertake to manufacture these chain of different dimensions and specifications.
2. Pins also available with nut Locking on one side.
3. Material used as per customer's requirements.
4. We use high tension bolts of reputed make.