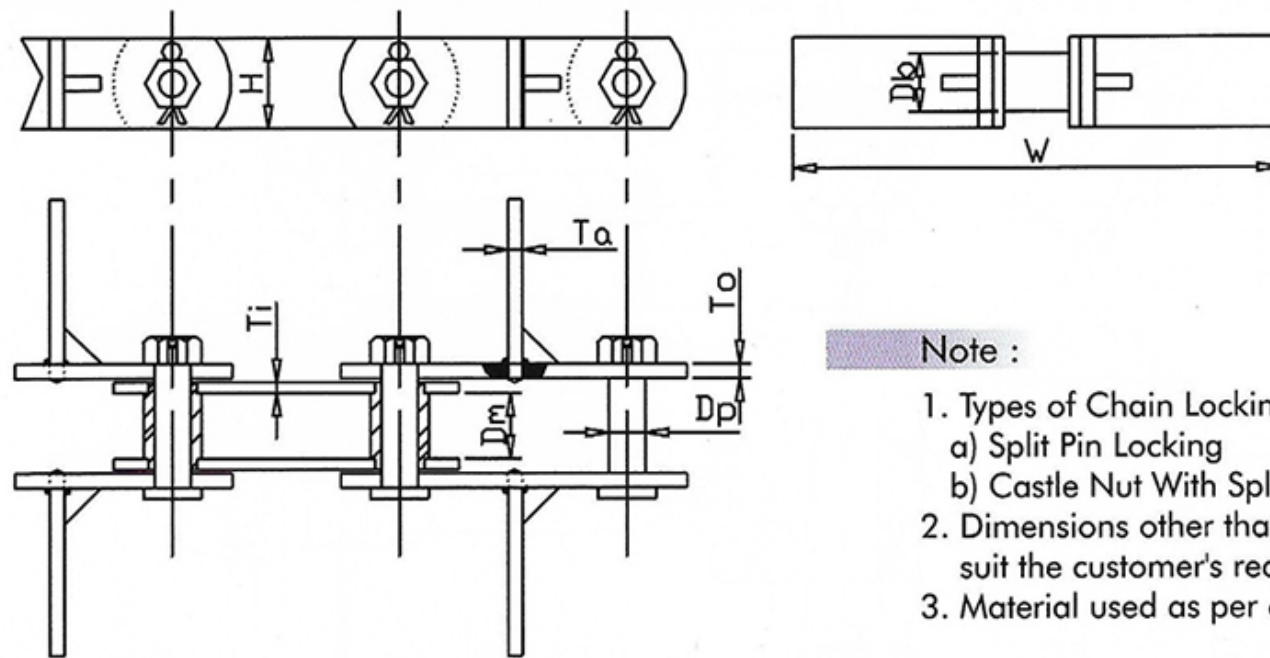


EN-MASS CONVEYOR CHAIN



Note :

1. Types of Chain Locking
 - a) Split Pin Locking
 - b) Castle Nut With Split Pin (SS) Locking.
2. Dimensions other than above can be provided to suit the customer's requirements.
3. Material used as per customer's requirements.

Cat No.	Pitch (P)	Breaking Load(in Kg)	Height (H)	Thickness Outer Link (To)	Thickness Inner Link (Ti)	Thickness Attachment (Ta)	Diameter Bush(Db)	Diameter Pin(Dp)	Dist. Between Inner Link(Dm)	Width (W) Max
RB 131	4"/100mm	12,000	40	8	6	8	25	15.8	28	230
RB 132	5"/125mm	12,000	40	8	6	8	22	15	32	330
RB 133	5"/125mm	12,500	40	8	6	8	25	15.8	28	330
RB 134	125mm	20,000	50	8	8	8	32	20	36	380
RB 135	125mm	22,000	65	8	8	8	32	20	36	580
RB 136	150mm	32,000	75	8	8	8	44	28	36	580

*all unspecified dimensions in mm