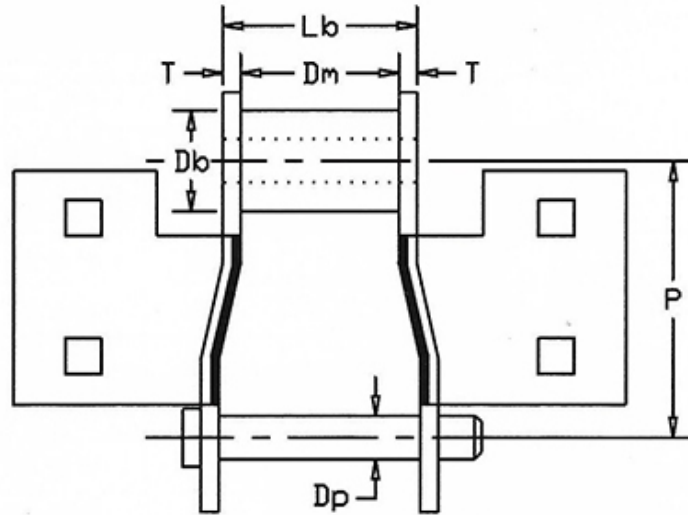


# ELEVATOR CHAIN



## Note :

1. Elevator Chain are available in both fabricated as well as malleable formats.
2. We also deal in Intermediate Carrier Chain as following
  - a) 5074E2
  - b) 5074E3
  - c) 5074E4
  - d) 5074E4

Cat No.	Pitch (P) Inch.	Pitch (P) mm	Min. Breaking Load(in KG)	Bush Length Lb	Bush Dia Db	Link Width	Inside Width (Dm)	Pin Dia (Dp)	Link Thickness(T)
RB 578	2.63	66.8	7,000	41.3	26.0	30	31	12.0	5
RB 503	3.02	76.7	10,000	52.4	28.0	38	36	14.0	8
RB 504	4.06	103.1	12,000	73.0	32.0	38	56	15.9	10
RB 603	3.02	76.7	10,000	41.3	22.0	38	31	14.0	8
RB 604	4.06	103.1	12,000	73.0	25.4	50	56	15.9	8

\*all unspecified dimensions in mm