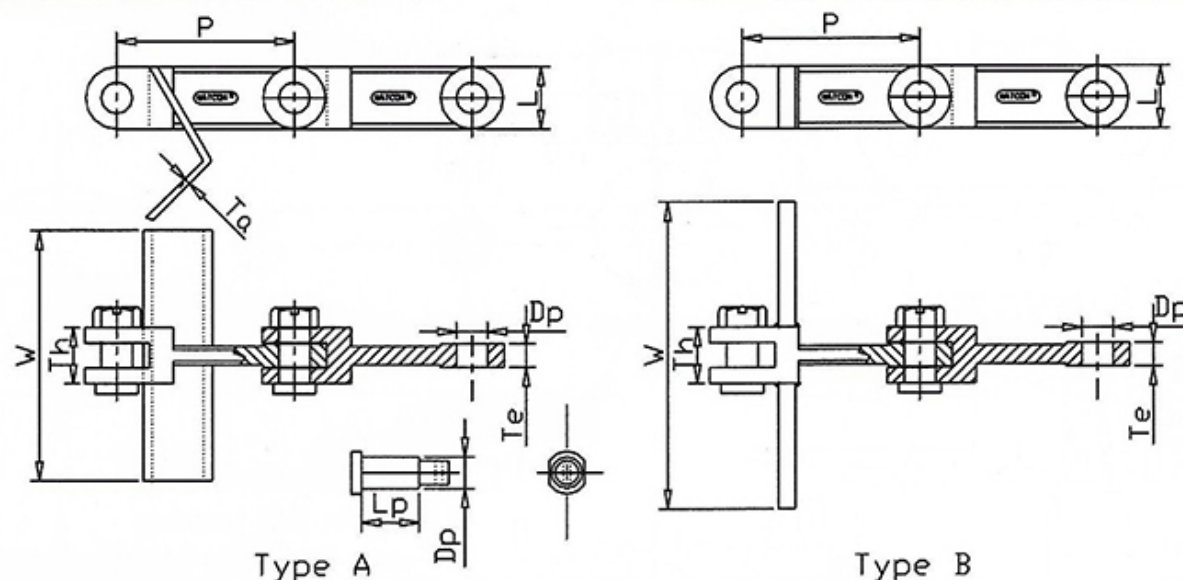


BULK FLOW FORGED CONVEYOR CHAIN



Note :

1. Chain Locking - Either Castle Nut with S.S. Pin or only S.S. Pin
2. This chain is available in both 'A' & 'B' configurations.
3. Hook can be welded to type 'B' to increase its pulling capacity.
4. Both type of links are forged from 16 Mn Cr 5 material & are fully heat treated. The pins are also made from case hardened materials.
5. The customer has to specify Hx Wa Ta Ta in type 'A' & 'W' in type B
6. The forged Chain is also used as **WET SCAPPER CHAIN FOR STEEL PLANTS.**

Cat No.	Pitch (P)	Breaking Load(in KG)	Thickness Head of Link (Th)	Thickness Tail of Link (Te)	Diameter of Pin (Dp)	Height of Link (L)	Width of Chain Max (W)
RB 211	142mm	40,000	45	20	25	50	580
RB 212	4"	15,000	32	12	15	36	230

*all unspecified dimensions in mm