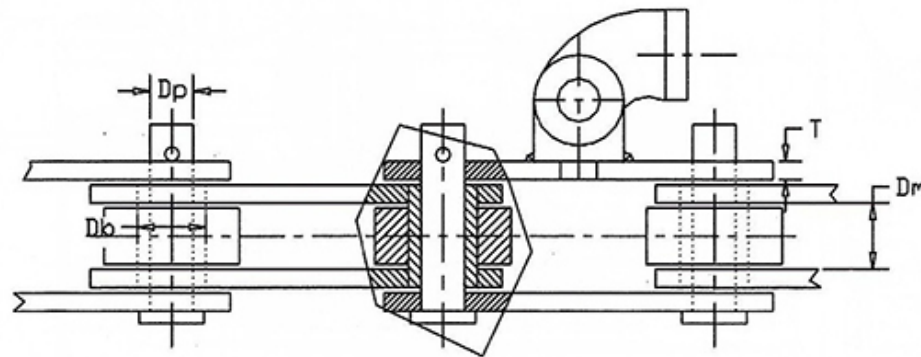
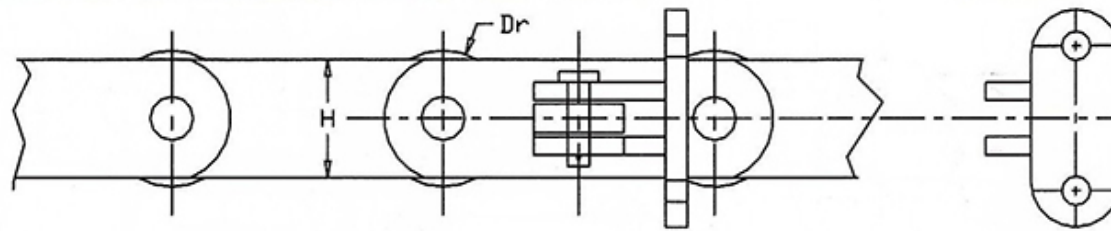


BAGGASE CARRIER CHAIN



Note :

1. Minimum breaking load given are applicable only for chain using material specified in IS : 8466-1977
2. Attachment dimensions will be as per user specifications.

Cat No.	Pitch (P)	Braking Load	Diameter Pin(Dp)	Diameter Roller(Dr)	Inside Width (Dm)	Link Thickness (T)	Link Width (H)
RB 501	150.0	30,000	23.0	70.0	35.0	10.0	60.0
RB 502	150.0	45,000	25.0	75.0	36.0	12.0	65.0
RB 503	152.4	30,000	22.22	70.0	36.0	60.0	10.0
RB 504	152.4	45,000	25.40	75.0	36.0	65.0	12.0
RB 505	229.0	60,000	30.00	90.0	40.0	75.0	12.0

*all unspecified dimensions in mm